



Description :

**DATACENTER TECH CABINETS**  
**Front and rear grilled door, side blind panels**

Datacenter TECH cabinets are designed for the containment of all kinds of server computers and 19" active components that are available in the networking market. The rack can house 19" accessories and it is suitable for the installation of specific accessories with increased depth to contain and support non-modular devices. They are available with width of 800 mm and depth of 1000 or 1200 mm, front grilled door, rear grilled double door and 2-section blind side panels.

| CODES    |          | DESCRIPTION              | DIMENSIONS (mm) |      |      | LOADING WEIGHT |
|----------|----------|--------------------------|-----------------|------|------|----------------|
| RAL 7035 | RAL 9005 |                          | W               | D    | H    | Kg             |
| 2009163  | 2009163N | Cabinet 19" 800x1000x42U | 800             | 1000 | 2017 | 2000           |
| 2009164  | 2009164N | Cabinet 19" 800x1200x42U | 800             | 1200 | 2017 | 2000           |
| 2009165  | 2009165N | Cabinet 19" 800x1000x47U | 800             | 1000 | 2239 | 2000           |
| 2009166  | 2009166N | Cabinet 19" 800x1200x47U | 800             | 1200 | 2239 | 2000           |

**MAIN FEATURES**

- Steel sheet structure
- Colour: Grey RAL 7035 or Black RAL 9005 (on request)
- Front grilled door and rear grilled double door with swing handles locking system at 3-points
- Door opening 180°
- 2-section blind side panels removable with locking key
- Ventilation slits for exhaust air and holes for the installation under the roof of ventilation units
- Brush strip cable entry on the base of rack
- Roof and floor base panels with removable trapdoors for cable inlet
- No. 4 19" uprights with unit number and adjustable in depth
- IP20 protection degree according to EN 60529
- Earthing kit
- No. 4 levelling feet
- Loading weight with levelling feet: 2000 Kg
- Compliant with standard IEC 60297, EN 61587-1, EN 60917

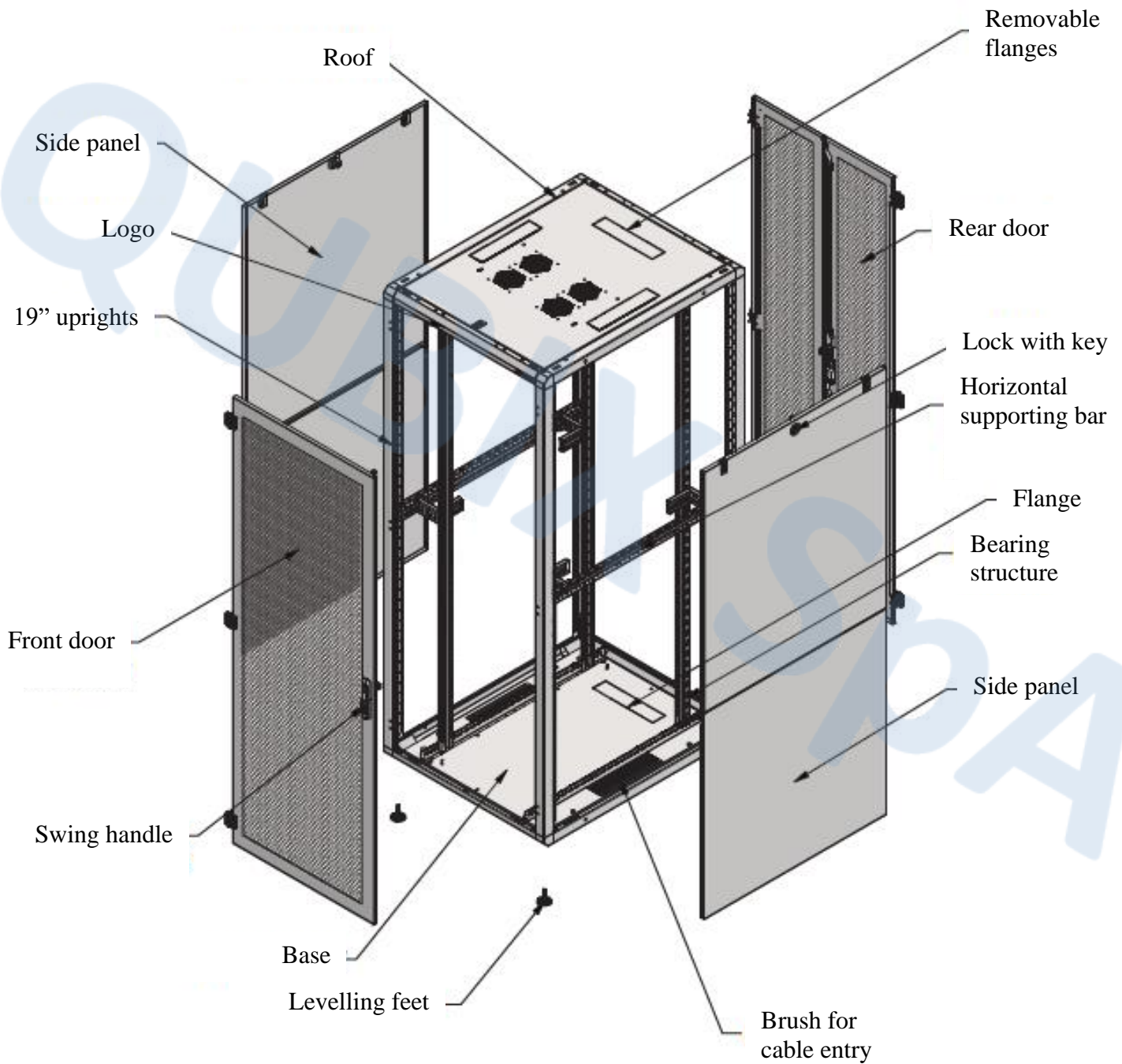




Description :

**DATACENTER TECH CABINETS**  
**Front and rear grilled door, side blind panels**

*TECHNICAL DRAWINGS*

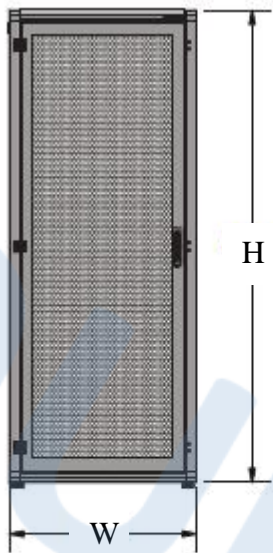




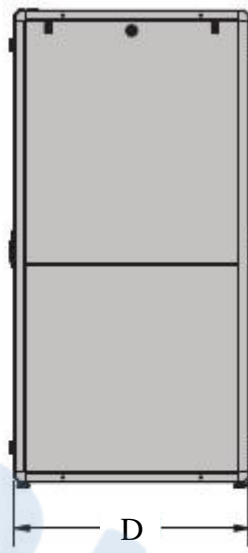
Description :

**DATACENTER TECH CABINETS**  
**Front and rear griled door, side blind panels**

*TECHNICAL DRAWINGS*



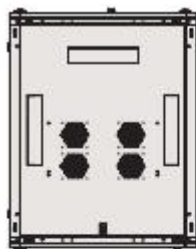
Front view



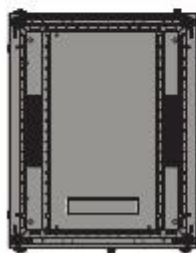
Side view



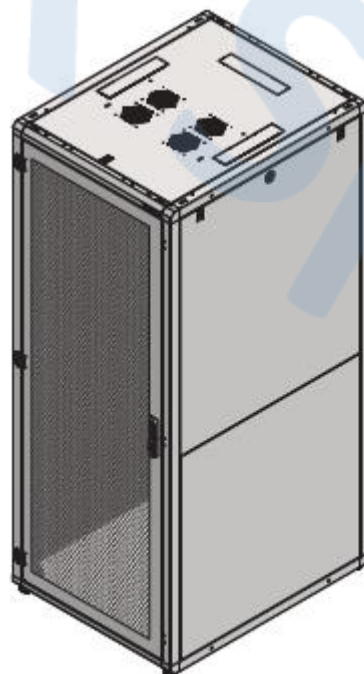
Rear view



Top view



Bottom view



Isometric view