



Description :

DATACENTER TECH CABINETS
Front and rear grilled door, side blind panels

Datacenter TECH cabinets are designed for the containment of all kinds of server computers and 19" active components that are available in the networking market. The rack can house 19" accessories and it is suitable for the installation of specific accessories with increased depth to contain and support non-modular devices. They are available with width of 800 mm and depth of 1000 or 1200 mm, front grilled door, rear grilled double door and 2-section blind side panels.

CODES		DESCRIPTION	DIMENSIONS (mm)			LOADING WEIGHT
RAL 7035	RAL 9005		W	D	H	Kg
2009163	2009163N	Cabinet 19" 800x1000x42U	800	1000	2017	2000
2009164	2009164N	Cabinet 19" 800x1200x42U	800	1200	2017	2000
2009165	2009165N	Cabinet 19" 800x1000x47U	800	1000	2239	2000
2009166	2009166N	Cabinet 19" 800x1200x47U	800	1200	2239	2000

MAIN FEATURES

- Steel sheet structure
- Colour: Grey RAL 7035 or Black RAL 9005 (on request)
- Front grilled door and rear grilled double door with swing handles locking system at 3-points
- Door opening 180°
- 2-section blind side panels removable with locking key
- Ventilation slits for exhaust air and holes for the installation under the roof of ventilation units
- Brush strip cable entry on the base of rack
- Roof and floor base panels with removable trapdoors for cable inlet
- No. 4 19" uprights with unit number and adjustable in depth
- IP20 protection degree according to EN 60529
- Earthing kit
- No. 4 levelling feet
- Loading weight with levelling feet: 2000 Kg
- Compliant with standard IEC 60297, EN 61587-1, EN 60917

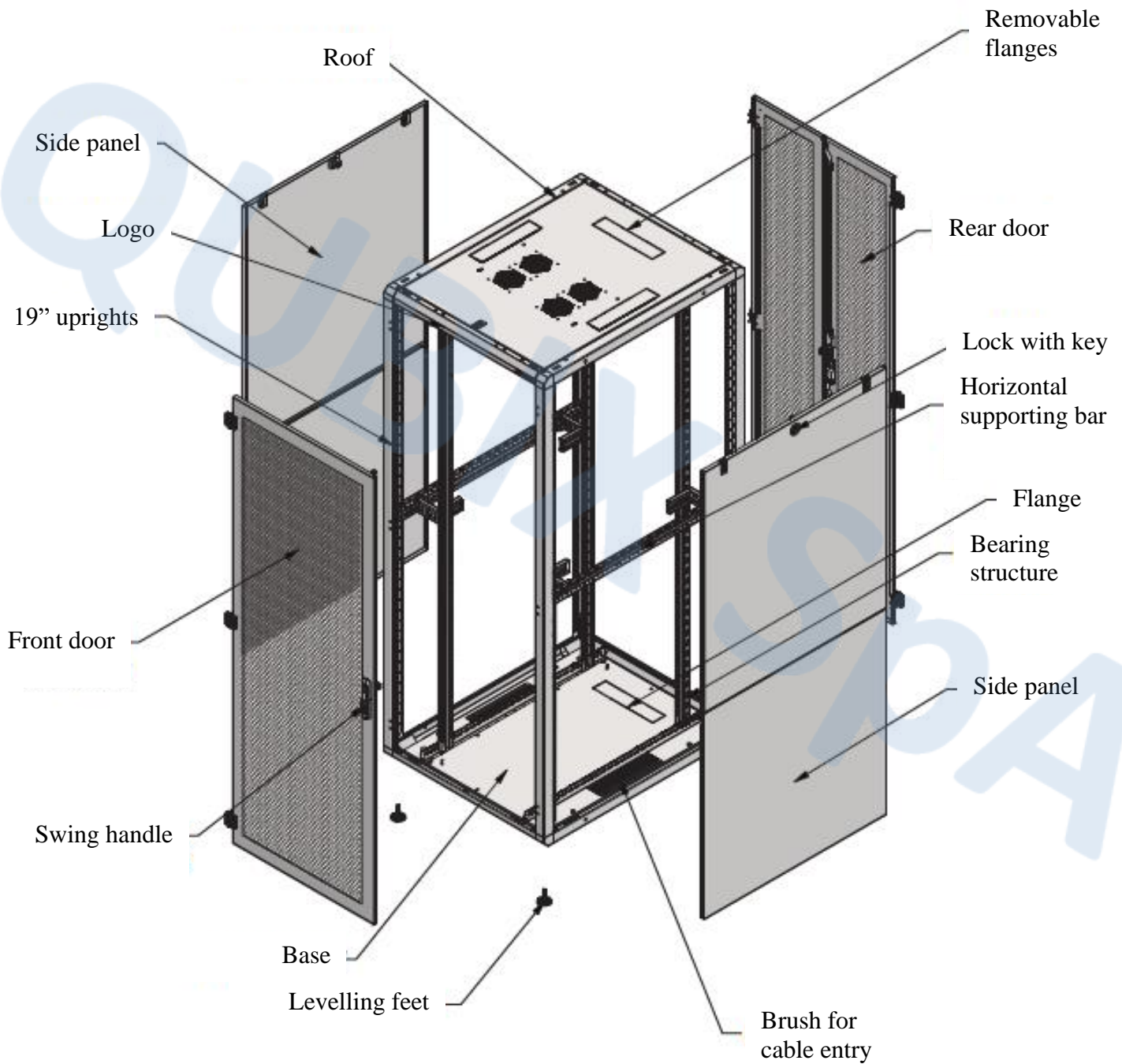




Description :

DATACENTER TECH CABINETS
Front and rear grilled door, side blind panels

TECHNICAL DRAWINGS

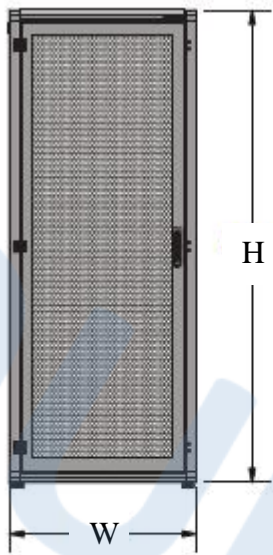




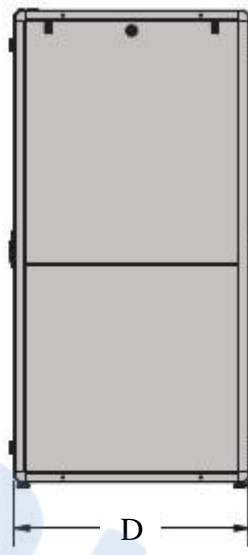
Description :

DATACENTER TECH CABINETS
Front and rear griled door, side blind panels

TECHNICAL DRAWINGS



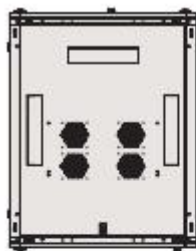
Front view



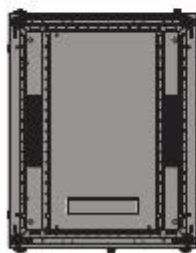
Side view



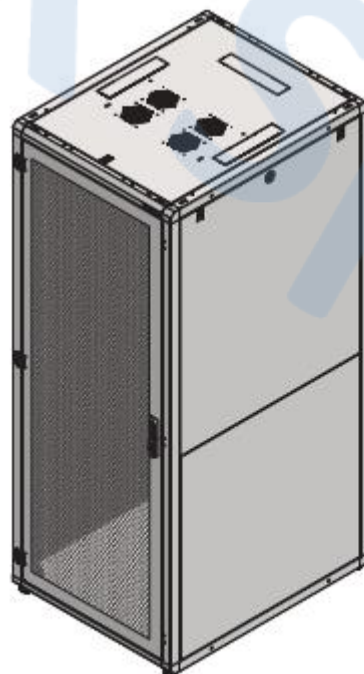
Rear view



Top view



Bottom view



Isometric view