



Description : **SMALL OFFICE COMPACT CABINET**

Compact wall mounted cabinet characterized by small dimensions, hinged locking system with Plexiglas window and security key, cable entry predisposition, side and bottom ventilation slots, fixed 19" 5U rails for devices or accessories with depth up to 80 mm, movable 19" 3U rails for devices with depth up to 360 mm.

CODE	DESCRIPTION	DIMENSIONS (mm)			LOADING WEIGHT
		W	D	H	Kg
2010073	Compact cabinet 3U+5U	537	475	146	30



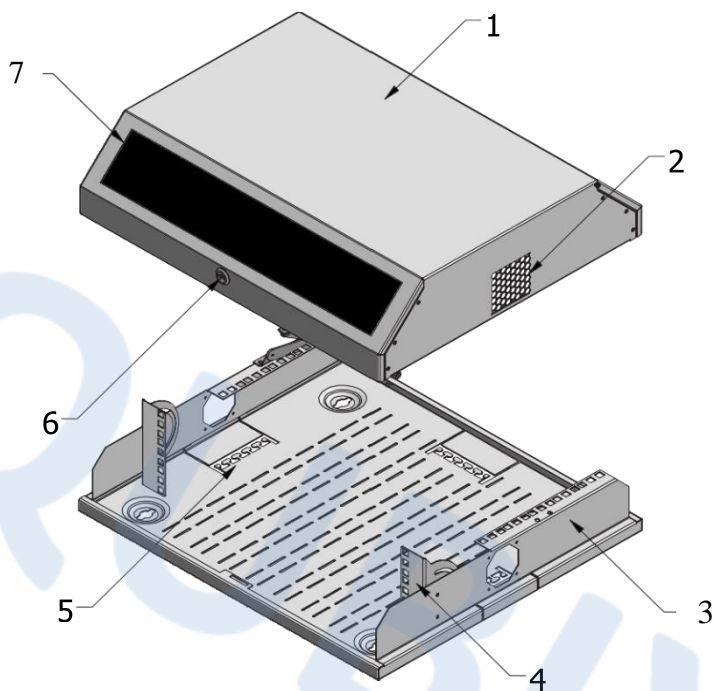
GENERAL FEATURES

- Steel sheet structure
- Colour: Grey RAL 7035
- Closing/opening system with hinges on the back of the cabinet
- Lock with security key
- Plexiglass window
- 3U movable 19" front rails for accessories or equipment with maximum depth of 360 mm
- 5U fixed 19" rails for accessories or equipment with a maximum depth of 80 mm
- Side and bottom holes for the ventilation
- Cable entry holes in the bottom
- Load capacity: 30 kg

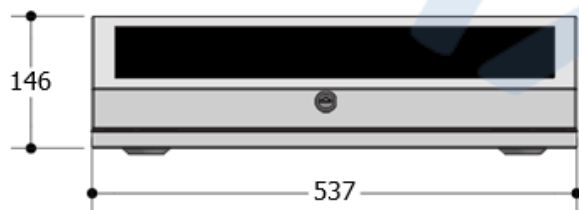


Description : **SMALL OFFICE COMPACT CABINET**

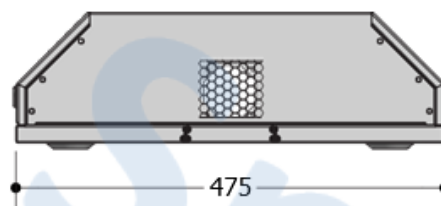
TECHNICAL DRAWING



COMPONENT LIST	
# 1	Cover
# 2	Ventilation holes
# 3	Fixed 5U 19" rails
# 4	Movable 3U 19" rails
# 5	Cable entry holes
# 6	Lock with key
# 7	Plexiglass window



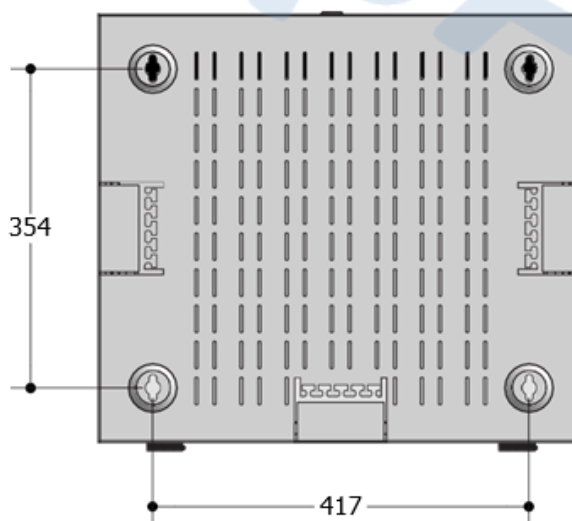
Front view



Side view



Top view



Bottom view