



technical data sheet

Description :

IP SERIES WALL MOUNTED CABINETS **Front glass door**

The IP series wall mounted cabinets are designed for the containment of the main equipment for structured cabling, LAN networks in very severe environmental conditions. The new solution, with an original design allows the integration of a wide range of accessories needed in the most advanced hi-tech environments. They are available with a width of 400, 500 or 600 mm, provided with front glass door, ensuring an IP65 protection degree.

CODE	DESCRIPTION	DIMENSIONS (mm)					BEAR
		OVERALL			MOUNTING HOLES DISTANCE		
		W	D	H	X	Y	
2010201	Cabinet IP65 19" 600x400x10U with glass door	600	400	500	560	460	50
2010204	Cabinet IP65 19" 600x500x10U with glass door	600	500	500	560	460	50
2010202	Cabinet IP65 19" 600x400x13U with glass door	600	400	600	560	560	50
2010205	Cabinet IP65 19" 600x500x13U with glass door	600	500	600	560	560	50
2010212	Cabinet IP65 19" 600x600x13U with glass door	600	600	600	560	560	60
2010203	Cabinet IP65 19" 600x400x17U with glass door	600	400	800	560	760	50
2010206	Cabinet IP65 19" 600x500x17U with glass door	600	500	800	560	760	50
2010215	Cabinet IP65 19" 600x600x17U with glass door	600	600	800	560	760	60



GENERAL FEATURES

- 15/10 steel sheet structure
- Epoxy Polyester powder coating, RAL 7035 color
- Front glass door
- Locking system with double bit key, \varnothing 3mm
- Cable entry plate with gasket
- 19" uprights pair
- 2 sendzimir profiles fixed on door
- IP 65 according to EN 60529 granted by polyurethane bicomponent foam seal
- IK09 degree of impact resistance complying with IEC EN 62208, EN 50102
- Kit of grounding screws and mounting of parts
- Bear: 50 Kg for cabinet with depth of 400/500 mm, 60 Kg for cabinet with depth of 600 mm

QUBIX S.p.A. Networking solutions – Via Canada, 22/A – 35127 Padova – Italy
Tel. +39 049 7801994 – Fax +39 049 775667 – <http://www.qubix.it>

Rev. 01-19

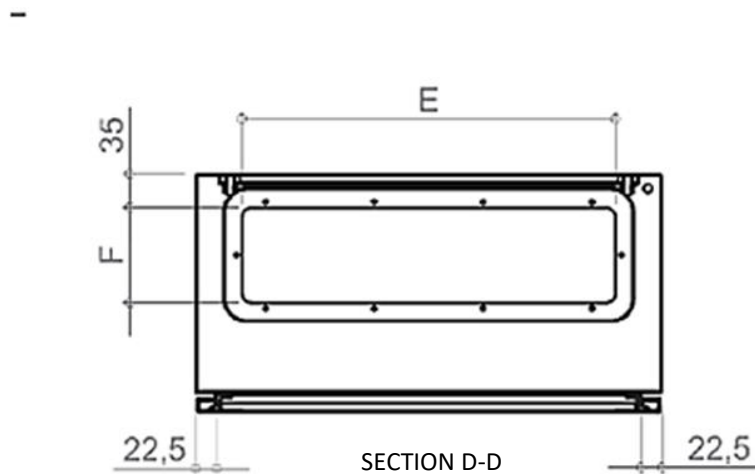
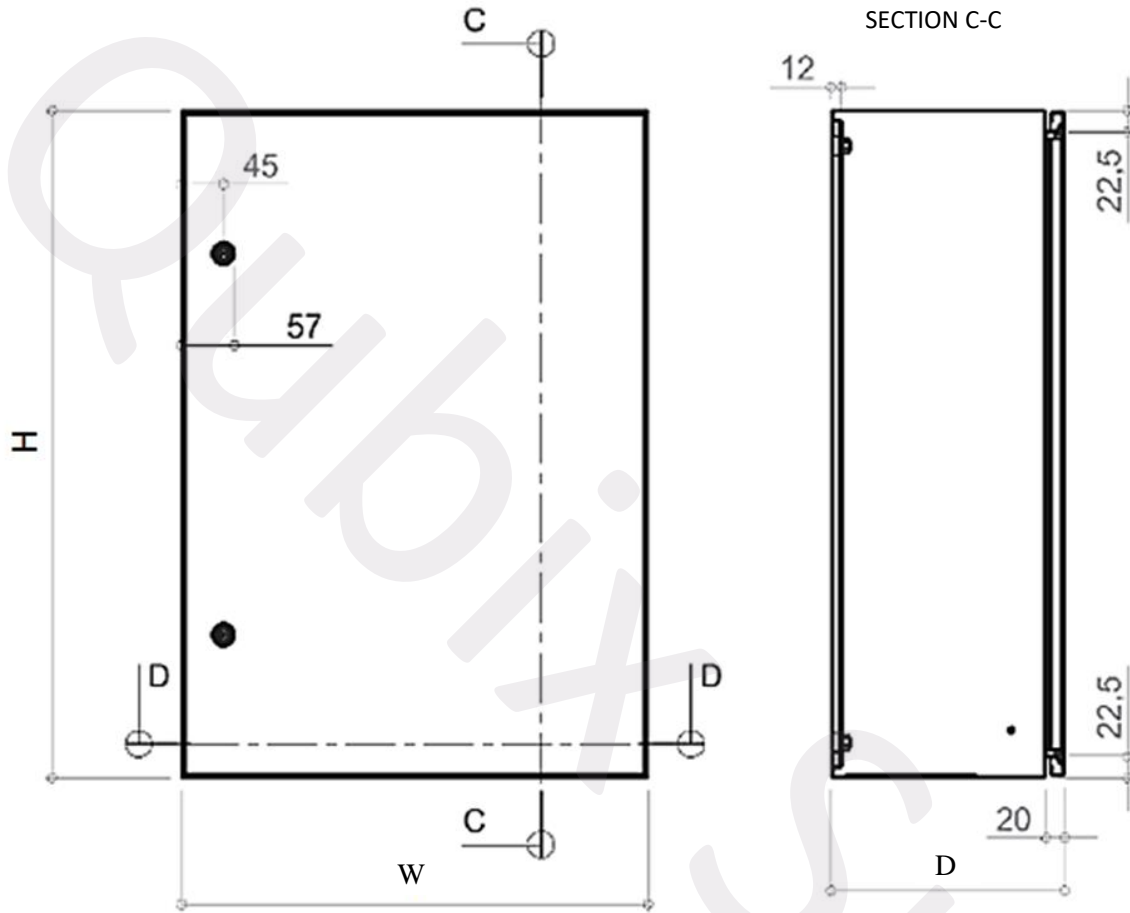
Qubix S.p.A. si riserva di apportare modifiche e migliorie in qualsiasi momento senza preavviso
Qubix S.p.A. reserves the right to make changes and improvements at any time without notice



Description :

IP SERIES WALL MOUNTED CABINETS
Front glass door

TECHNICAL DRAWINGS



CABLES ENTRY PLATE DIMENSIONS (mm)	
E	400
F	100

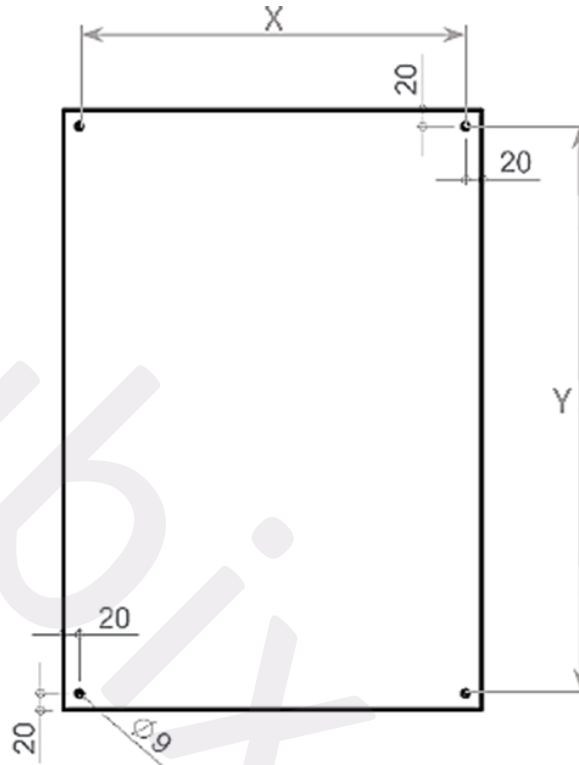


Description :

IP SERIES WALL MOUNTED CABINETS
Front glass door

TECHNICAL DRAWINGS

Rear of cabinet



Internal view
of the door

