



Description :

IP SERIES WALL MOUNTED CABINETS
Front blind door

The IP series wall mounted cabinets are designed for the containment of the main equipment for structured cabling, LAN networks in very severe environmental conditions. The new solution, with an original design allows the integration of a wide range of accessories needed in the most advanced hi-tech environments. They are available with a width of 400, 500 or 600 mm, provided with front blind door, ensuring an IP65 protection degree.

CODE	DESCRIPTION	DIMENSIONS (mm)					BEAR KG
		OVERALL			MOUNTING HOLES DISTANCE		
		W	D	H	X	Y	
2010207	Cabinet IP65 19" 600x400x10U with blind door	600	400	500	560	460	50
2010210	Cabinet IP65 19" 600x500x10U with blind door	600	500	500	560	460	50
2010208	Cabinet IP65 19" 600x400x13U with blind door	600	400	600	560	560	50
2010223	Cabinet IP65 19" 600x500x13U with blind door	600	500	600	560	560	50
2010213	Cabinet IP65 19" 600x600x13U with blind door	600	600	600	560	560	60
2010209	Cabinet IP65 19" 600x400x17U with blind door	600	400	800	560	760	50
2010211	Cabinet IP65 19" 600x500x17U with blind door	600	500	800	560	760	50
2010218	Cabinet IP65 19" 600x600x17U with blind door	600	600	800	560	760	60



GENERAL FEATURES

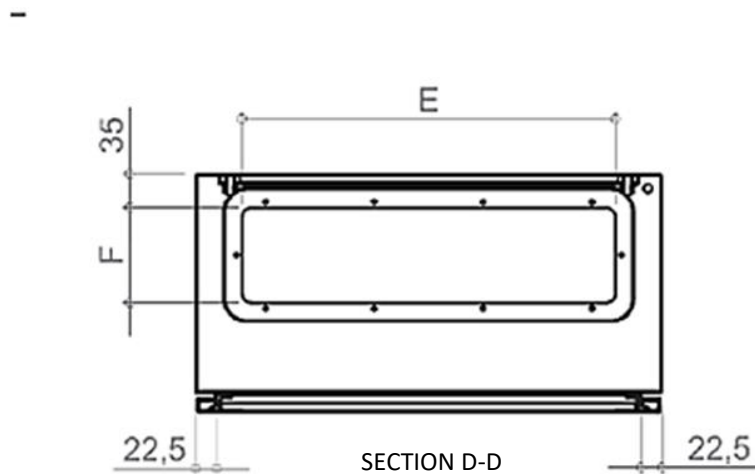
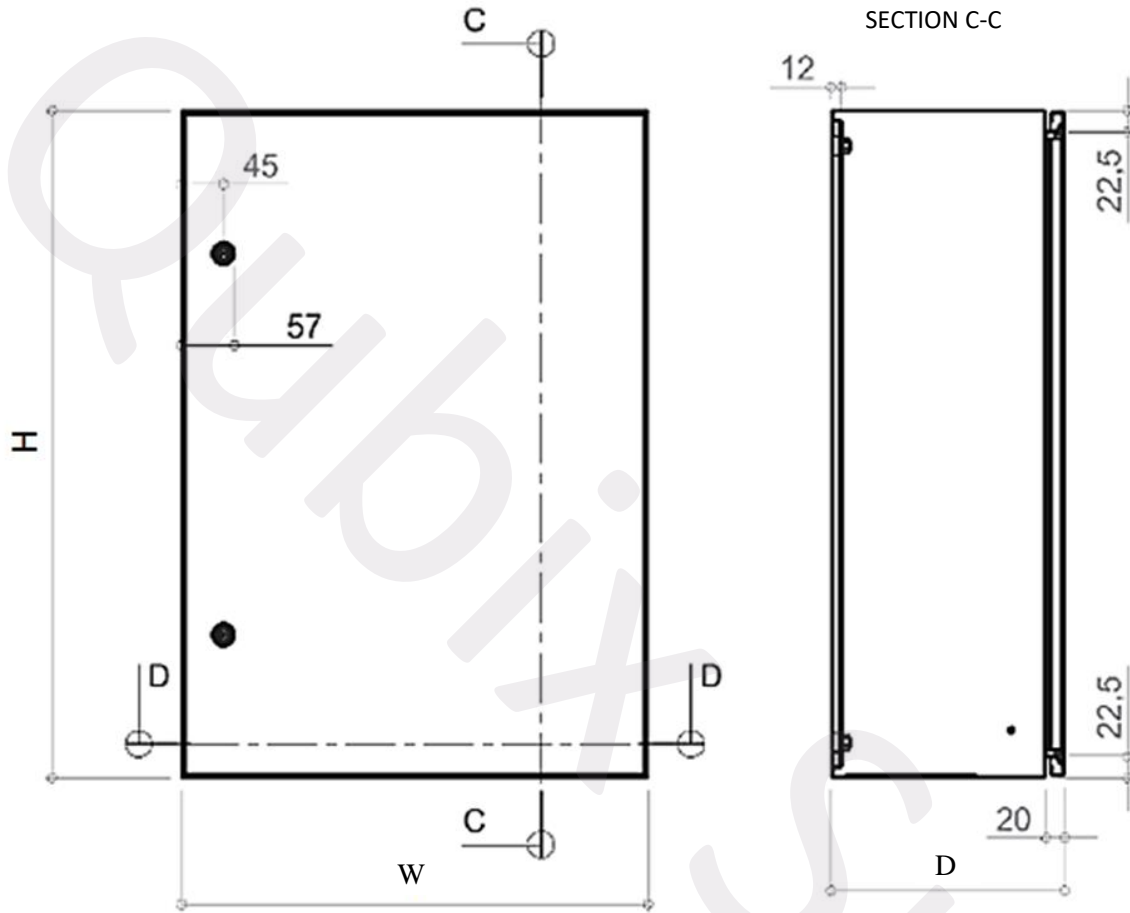
- 15/10 steel sheet structure
- Epoxy Polyester powder coating, RAL 7035 color
- Front blind door
- Locking system with double bit key, \varnothing 3mm
- Cable entry plate with gasket
- 19" uprights pair
- 2 sendimir profiles fixed on door
- IP 65 according to EN 60529 granted by polyurethane bicomponent foam seal
- IK10 degree of impact resistance complying with IEC EN 62208, EN 50102
- Kit of grounding screws and mounting of parts
- Bear: 50 Kg for cabinet with depth of 400/500 mm, 60 Kg for cabinet with depth of 600 mm



Description :

IP SERIES WALL MOUNTED CABINETS
Front blind door

TECHNICAL DRAWINGS



CABLES ENTRY PLATE DIMENSIONS (mm)	
E	400
F	100

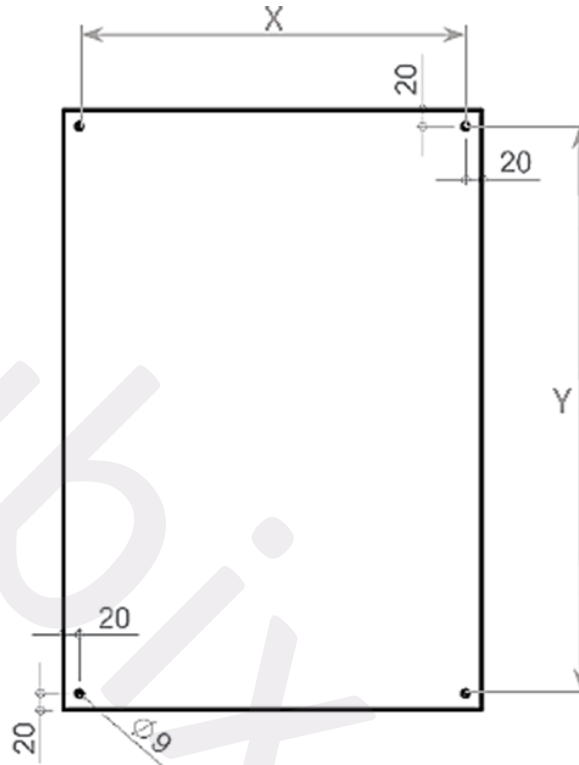


Description :

IP SERIES WALL MOUNTED CABINETS
Front blind door

TECHNICAL DRAWINGS

Rear of cabinet



Internal view
of the door

