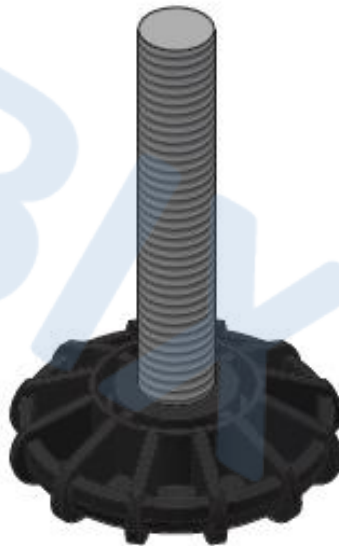




Product code :	2011492
Description :	<u>LEVELLING FEET FOR FLOOR TECH CABINETS</u>

Levelling feet set for floor-standing TECH cabinets.

CODE	DESCRIPTION
2011492	Levelling feet for floor-standing TECH cabinets



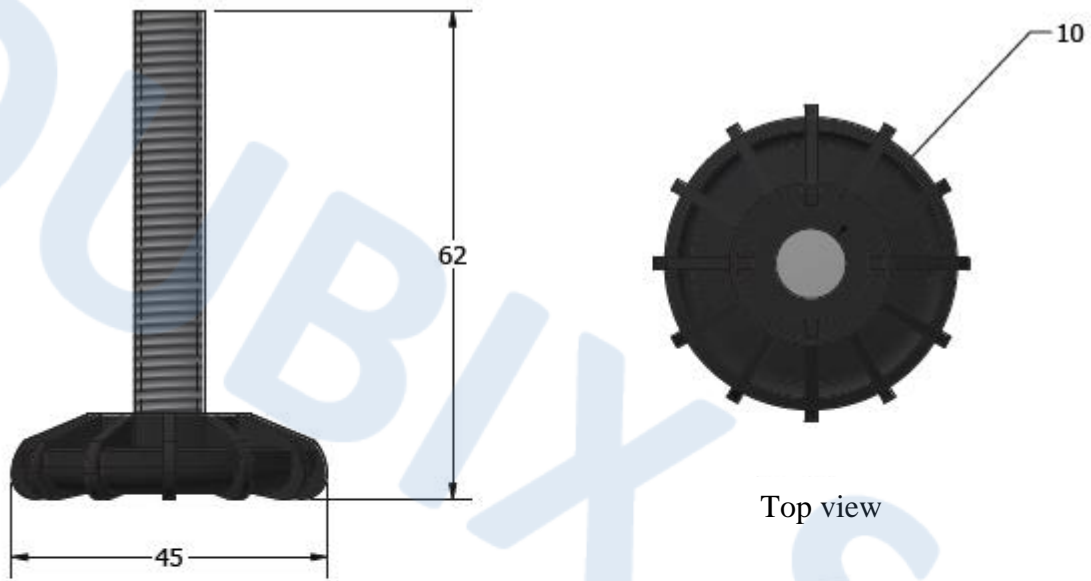
MAIN FEATURES

- No. 4 M10 feet
- Steel structure
- Plastic base
- Height :62 mm
- Base diameter: 45 mm
- Loading: 150 Kg for each foot
- Suitable for floor-standing TECH cabinets



Product code :	2011492
Description :	LEVELLING FEET FOR FLOOR TECH CABINETS

TECHNICAL DRAWINGS

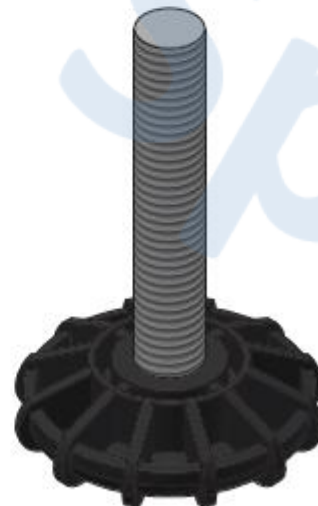


Front view

Top view



Bottom view



Isometric view