



Product Code :	2040091
Description :	FIBER FAULT LOCATOR



Description

The FC-2005 Fiber Checker is used for checking the defects of a fiber cable. It sends a visible 650nm wavelength red laser light through fiber optic cables, the breaks or faults in the fiber will refract the light, creating a bright glow around the faulty area.

The universal connector can be used for all the most common fiber interfaces such as ST/ SC/ FC with 2,5 mm diameter. It is suitable to test both single mode and multimode cables. The visibility is up to 3 kilometers.

There is also a specially designed power circuit included; it provides steady power which avoids unstable laser output when the battery is low. The output signal can be switched between CW or Pulse mode to get different visual effects. There is a dustproof cover which will prevent dust from getting into the inside of the interface. The cover also helps to avoid incidental exposure of the laser to the eyes.

Safety instructions

- Never look directly at the instrument output Fiber Checker Pro
- Exposure to fractions of a second does not damage your eyes, but a filter or a piece of paper should be placed between the emitted light and the eyes
- Direct and prolonged exposure is potentially dangerous.
- When the instrument is not in use, cover the outlet with the protective cap.
- Do not open the casing of the instrument, except for the replacement of the batteries.
- The parts inside are not reparable by user
- Do not enlarge or otherwise modify the laser output.
- Use only connectors and adapters that meet the international standards.
- Carefully follow the instructions USING THE VISUAL FAULT LOCATOR and do not modify the procedures for checking optical fibers as described in this manual.
- This product meets and exceeds FDA certifications on LASER, but we recommend avoiding direct exposure to your eyes.

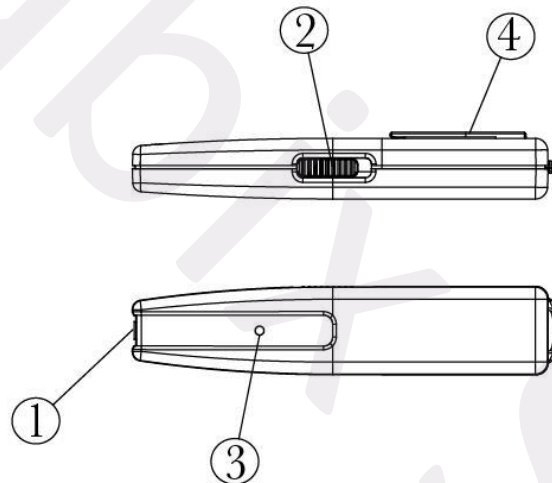


Product Code :	2040091
Description :	FIBER FAULT LOCATOR

Operation instructions

To use the Fiber Checker Pro, refer to Figures and proceed as follows:

1. Insert 2 x 1.5 V AAA batteries (4).
2. Clean the optical connector to verify.
3. Open the cover of the instrument.
4. The universal fiber adapter of the instrument accepts connectors with 2.5 mm ferrules (SC, ST or FC).
5. Connect the fiber optic connector to the output of the instrument (1).
6. Set the switch from OFF to CW (2) to turn on the instrument.
7. To set flashing light mode, switch the slide from CW to Pulse position,
8. The status LED (3) indicates the status of the instrument output (Red = Low batteries, Green = Test).
9. Turn the power off before disconnecting the optical fiber.
10. Replace the protective cap.



- 1) The dustproof (a universal type fiber connector inside)
- 2) 3 sections slide switch: CW /Pulse /Power Off
- 3) Power indicator
- 4) Pen-clip

It is suggested to observe the light emitted in an indirect way by placing a white sheet of paper in front of the output of the source of the instrument or to the connector that emits light.

Never look at the light emitted with optical magnifiers or microscope.

Also, do not observe the reflected light on metal and glossy surfaces.

NOTE: The light emitted from any failure can not be seen through cables with very thick or very dark sheath.



Product Code :	2040091
Description :	FIBER FAULT LOCATOR

Technical specifications

Laser class	Class IIIa
Wavelength	655nm±10nm@25°C
Spectral width	<10nm
Output Power	>600µW @25°C into 9µm fiber
Mode	CW/Pulse
Battery	AAA 1.5V X 2
Indicator	Power/Battery Low
Output power reliable	+/- 0.2mW
Spectral width	< 10nm
Range	Visibility to 3km
Operating temp	0°C ~ 50°C
Storage temp	0°C ~ 70°C